



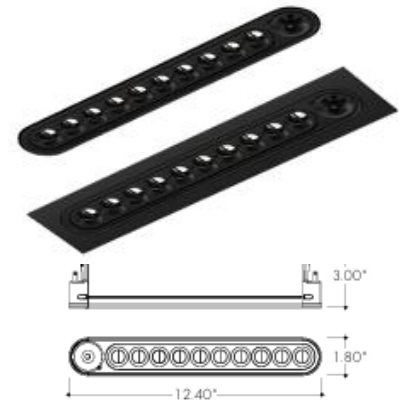
Our mission is to refine everyday items using advanced technology to add a touch of elegance and seamless convenience into our customers' lives. **Glint by Luminii** is committed to maintaining the highest standards for our products and customer service. Our goal is to create the most significant benefits possible for our retail partners and customers.

Follow LIT on these social platforms:



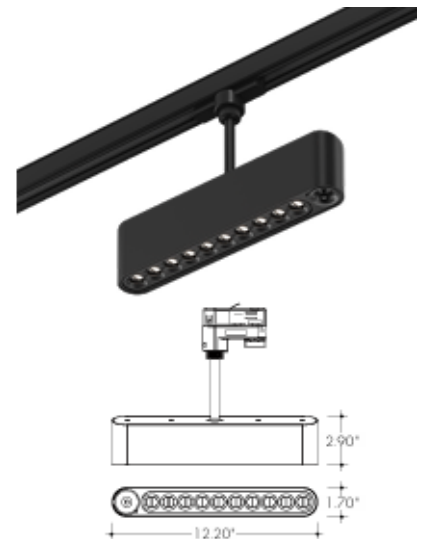
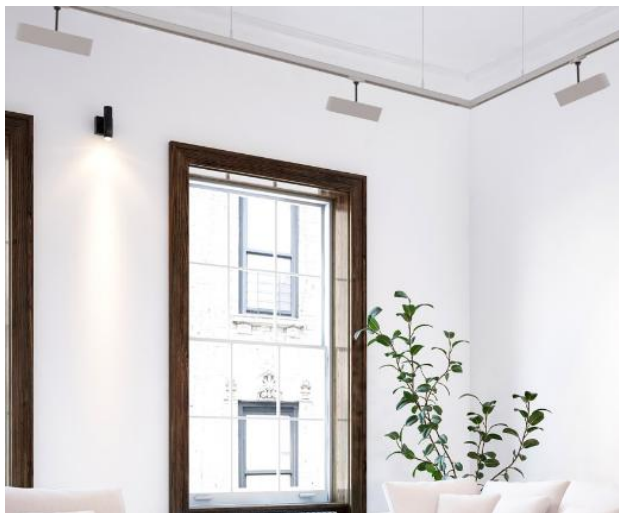
Hero Recessed:

- Hero 6-\$730.00
- Hero 10- \$770.00



Hero Track:

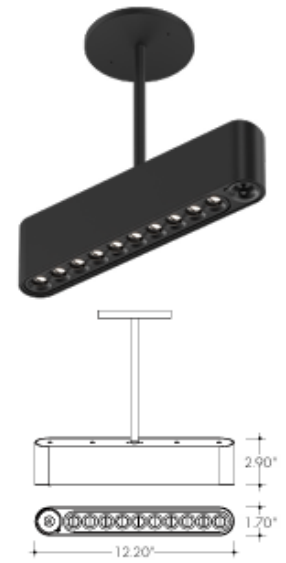
- Hero 6 \$900.00
- Hero 10 \$940.00



Hero Monopoint:

Hero 6 \$900.00

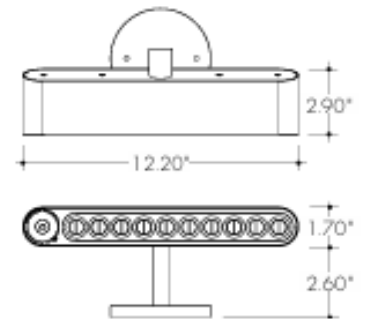
Hero 10 \$940.00



Hero Wall Mount:

Hero 6 \$900.00

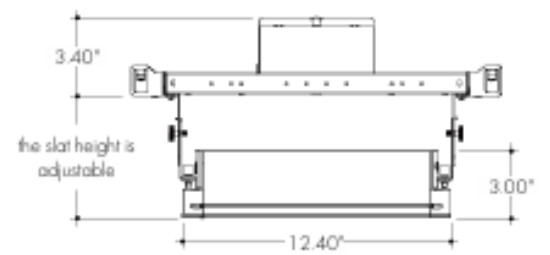
Hero 10 \$940.00



Hero Grille:

Hero 6 \$750.00

Hero 10 \$840.00



1. Brand Essence

- Glint delivers **precision-engineered, architectural lighting** focused on **high performance and ultra-low glare**.
 - Designed for designers — **beautiful optics, minimalist form, and maximum control**.
 - Now part of the Luminii family, offering expanded capabilities with **US manufacturing and custom support**.
-

2. Product Strengths

- **Low-glare micro-optic technology** ensures visual comfort without sacrificing output.
- **Highly adjustable fixtures**—perfect for spotlighting art, interiors, and architectural details.
- **Innovative magnetic aiming system** allows easy field adjustments without tools.
- Compact form factor — **disappears into the architecture** for clean, modern aesthetics.

3. Technology & Performance

- Uses **precision optics** and **high CRI LED engines** for superior color rendering.
 - Available in multiple beam spreads and output options.
 - **Advanced dimming and control compatibility** (0–10V, ELV, DALI, DMX).
 - Engineered for **long life and consistency** across projects.
-

4. Applications

- Ideal for **hospitality, museums, luxury residential, and retail environments**.
 - Perfect for **accent and task lighting**, where precision and comfort matter.
 - Often used in **art galleries, high-end showrooms, and boutique interiors**.
-

5. Why Choose Glint

- **Combines aesthetics + performance** like no other small-aperture system.
- Backed by Luminii's **engineering expertise and support network**.
- **Made in the USA**, offering quick lead times and high-quality control.
- Trusted by **top architects, lighting designers, and integrators** for refined visual environments.