



Our mission is to refine everyday items using advanced technology to add a touch of elegance and seamless convenience into our customers' lives. **I-Light by Luminii** is committed to maintaining the highest standards for our products and customer service. Our goal is to create the most significant benefits possible for our retail partners and customers.

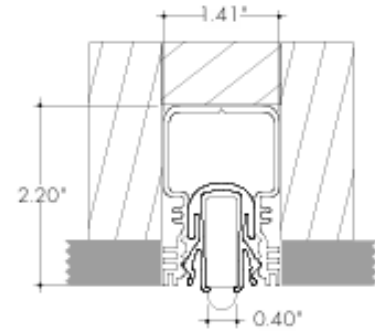


Follow LIT on these social platforms:



Recessed:

Plexineon Recessed Mount: \$265.00



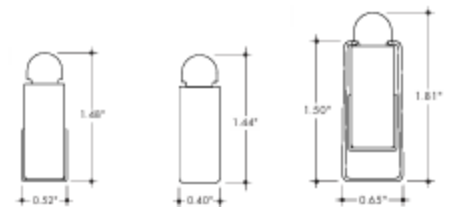
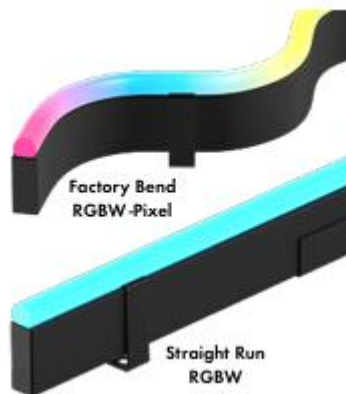
In Recessed Extrusion

Surface Mount:

Plexineon Surfaced Mount: \$221.00

Plexineon Surfaced Mount Corners: \$303.00

Plexineon Surfaced Mount Rings: \$785.00

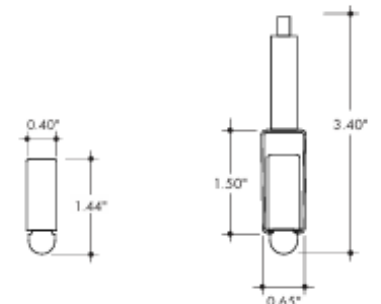
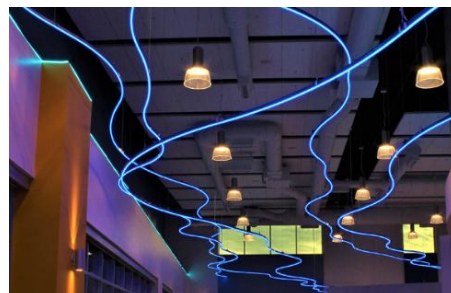


Suspended:

Plexineon Suspension Mount: \$265.00

Plexineon Suspension Mount Corners: \$526.00

Plexineon Suspension Mount Rings: \$840.00



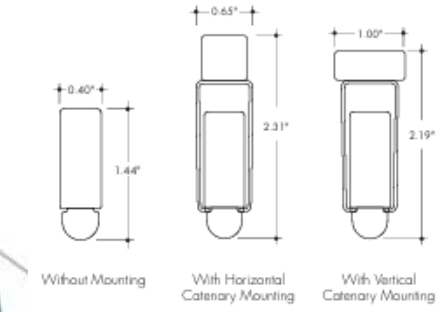
Straight Run

With Mounting Clip and A/C hardware

Catenary:

Plexineon Catenary Mount Rings: \$2,574.00

Plexineon Catenary Mount: \$1,100.00

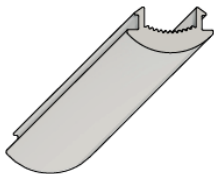


Handrail:

Complete Handrail Kit \$156.00 per foot

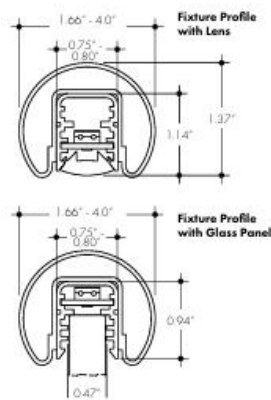
HS-LNS01-XXXX

6ft lens extrusion for Handrail

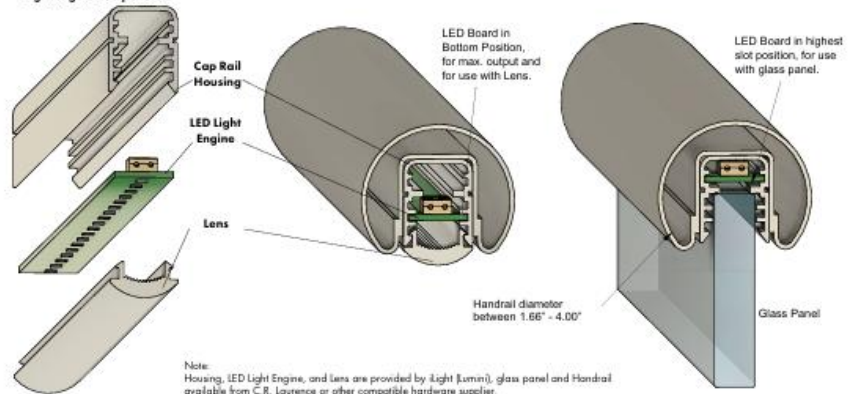


PRICING	EA
HS-LNS01-XXXX	\$70.00

- XXXX** Lens
- C060A 60° Asymmetric lens
 - C110S 110° Symmetric lens
 - C065S 65° Symmetric lens
 - F112S Frosted 120° Symmetric lens



Light Engine Components



Note: Housing, LED Light Engine, and Lens are provided by iLight [Lumin], glass panel and Handrail available from C.R. Laurence or other compatible hardware supplier.

1. Brand Overview

- I LIGHT specializes in **architectural lighting solutions** known for **precision, performance, and design flexibility**.
- Their systems blend **aesthetic impact with functional efficiency**, ideal for both **commercial and high-end residential** applications.

2. Product Strengths

- **Linear and customizable** lighting options — cut-to-length solutions for any design need.
- **Superior color consistency** and **seamless illumination**.
- Engineered for **easy integration** into modern control systems (0–10V, DMX, DALI, etc.).
- Offers **IP-rated outdoor solutions**, perfect for both interior and exterior applications.

3. Design Flexibility

- Mounting styles: surface, recessed, suspended, and cove.
- **Wide range of profiles and optics** — helps tailor light distribution for any project type.
- Modular design = **quick installation and clean aesthetics**.

4. Technology & Control

- Smart lighting compatibility — supports **tunable white, RGBW, and dynamic controls**.
- Works seamlessly with **control platforms** used by integrators and lighting designers.

5. Application Examples

- Retail displays, hospitality, and architectural accent lighting.
- Perfect for highlighting textures, materials, and architectural details.
- Used in **hotels, restaurants, galleries, and modern residential spaces**.

6. Why Spec I LIGHT

- Designed for **performance and longevity**.
- **Made in the USA** with high-quality materials and quick lead times.
- Strong **support from LIT** for product selection, layout, and technical guidance.